



USER'S MANUAL

MODEL : RP-12

**READ THE INSTRUCTIONS AND WARNINGS
IN THIS MANUAL CAREFULLY BEFORE USING
THIS SHOTGUN!**



SAAMI
SPORTING ARMS AND AMMUNITION MANUFACTURERS INSTITUTE, INC.
SINCE 1925

1370 BAR
STEEL SHOT



MAINTENANCE CLEANING

Caution : Make sure the gun is UNLOADED.

1. Make sure the broad, polished finely fitted mating surface of the breech block and receiver is especially clean and lightly oiled with high quality gun oil. Do not use silicone or lanolin (Do not use WD-40).

2. Run an oil patch through the bore with a cleaning rod starting from the breech end. To prevent leading, use a cleaning solvent and brass brush to clean the bore periodically. Follow this cleaning with one or two clean oil patches. Important: If your gun is equipped with choke tubes, do not use a brass brush to clean the barrels without having a choke tube installed. Barrels that utilize choke tubes must also have the choke tubes installed. This will protect the threads and prevent dirt build up that can cause tubes to become difficult to remove.

Never fire your gun without choke tubes snugly tightened in barrels. Do not over tighten choke tubes. Wipe all exposed metal surfaces with an oiled cloth before storing. Do not squirt or pour oil into the inside mechanism because it may hamper proper functioning. After extended periods of heavy use, your gun should be taken to a qualified gunsmith to have the action disassembled for professional cleaning and lubrication.

3. Care for your wood stock and forearm the same way you would a piece of furniture with the same finish.

STORAGE

Clean thoroughly and oil your gun before storage. Store the gun in a case to prevent scratches and dents. Store your firearm in a dry place to prevent corrosion. Store the gun away from children and in a place where it cannot be obtained by those unauthorized to use it. Always store gun unloaded and separately from any ammunition.

HAZARDOUS MATERIAL WARNING

Discharging firearms in poorly ventilated areas, cleaning firearms, or handling ammunition, may result in exposure to lead and other substances known to cause birth defects, reproductive harm, and other serious injury. Have adequate ventilation at all times. Wash hands thoroughly after exposure.

SAFETY RULES

Observe these rules of safe gun handling.

1. Always keep the muzzle pointed in a safe direction. Watch the muzzle at all times: never point a gun, accidentally or intentionally, at any person or anything you do not intend to shoot. Identify the target before shooting; do not shoot at sounds.
2. Always treat a gun as if it is loaded - it may be !
3. Keep your finger off the trigger while operating the action and at all other times until you are ready to fire.
4. Keep the safety "on" or in the "safe" position at all times until you are ready to fire. Do not rely on your gun's safety, the safety on any gun is a mechanical device and is not intended as a substitute for common sense or safe gun handling.
5. Learn how your gun functions and handles. If you do not thoroughly understand the proper use and care of your gun, seek the advice of someone who is knowledgeable.
6. Do not alter or modify any part of the firearm.
7. Store guns unloaded, separate from any ammunition, and out of the reach of children.

8. Be sure the barrel is clear of any obstructions before loading.

Make it a habit to check the barrel every time before loading.

9. Be sure you have and use the proper ammunition. A 20 gauge shell will enter a 12 gauge chamber far enough so that a 12 gauge shell can be loaded behind it. Also, a 3 inch shell may fit into a 2 $\frac{3}{4}$ " inch chamber, but the crimp at the mouth of the shell will unfold into the forcing cone. If either of these things occur it can result in serious injury or death to you and those around you.

10. Wear protective shooting glasses and adequate ear protection when shooting.

11. Never climb or jump over anything, such as a tree, fence, or ditch, with a loaded gun. Open the action, remove the shells and hand the gun to someone else or place it on the ground on the other side of the obstacle before crossing it yourself. Do not lean a gun against a tree or other object; it could fail and possibly discharge.

12. Do not shoot at a hard surface or at water. Bullet and shot can ricochet or bounce off and travel in unpredictable directions with great velocity.

13. Never transport a loaded gun. Do not place a loaded gun into a vehicle. The gun should be unloaded and placed into a case when not in use.

14. Never drink alcoholic beverages before or during shooting.

BULLPUP PUMP ACTION WARRANTY CARD

RP -12

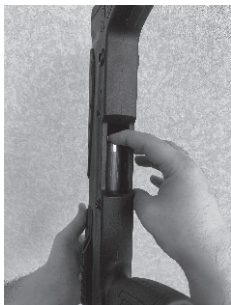


Type	: Hunting Shotgun
Brand	: TARGET
Serial Nr.	:
Model	: Bullpup Pump Action
Barrel Length	:
Caliber	:
Cartridge Chamber	: 76 mm
Date and Place of Delivery	:
Guarantee Period	: 2 Years

LOADING AND TARGET



1- The safety is located behind on the trigger guard. Get the safety ON. Push the safety button from right side of your gun and allowing it to come out to the left as in the second picture.



2- Load the shotshells from the loading chamber at the bottom of your shotgun, as shown on the picture, and push it inward until heard the click sound.

LOADING AND TARGET



3- Pull the latch on the trigger



4- Pull the fore-end backward



5- Push the forearm forward and close the action and the first shell comes into the firing chamber.

Get the safety OFF and your gun is now ready to fire.

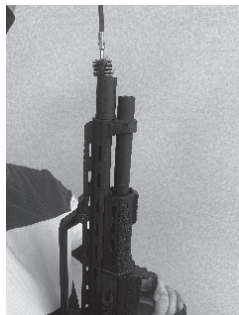
LOADING AND TARGET



6- Keep the latch on hold where it stands on the trigger



7- Push the fore-end back and forward for each shell and the carrier simultaneously. You will see that the shells will be ejected from the magazine tube. When all the shells are ejected, check the chamber.

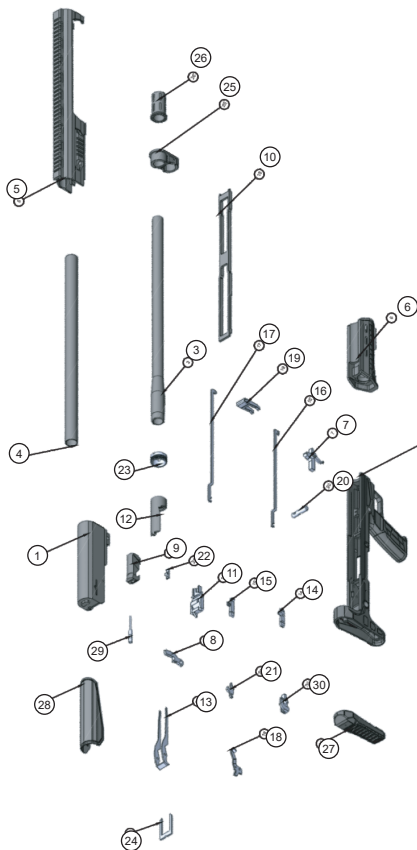


MAINTENANCE OF THE SHOTGUN

8- With the fore-end in the back position, clean the inside of the barrel with suitable cleaning kits.

- * WE RECOMEND TO CLEAN YOUR SHOTGUN EVERY 100 TO 200 ROUNDS.
- * PLEASE USE THE AMMUNITION RECOMMEDED BY THE MANUFACTURER; OTHERWISE, YOUR SHOTGUN WILL BE OUT OF WARRANTY

- If you need further detailed maintenance or repair please contact TARGET.



- 1- Receiver
- 2- Lower Body
- 3- Barrel
- 4- Magazine Tube
- 5- Upper Receiver
- 6- Forend
- 7- Trigger
- 8- Hammer
- 9- Bolt
- 10- Action Bar
- 11- Pusher
- 12- Chamber
- 13- Carrier Lever
- 14- Shell stopper - Right
- 15- Shell stopper - Left
- 16- Stopper Retaining Pin
- 17- Trigger Retaining Pin
- 18- Bolt Stopper
- 19- Stopper Button
- 20- Safety
- 21- Sear
- 22- Extractor
- 23- Barrel Retaining Nut
- 24- Bolt Cap
- 25- Upper Receiver Front Cap
- 26- Barrel Cladding
- 27- Recoil Pad
- 28- Cheek Piece
- 29- Firing Pin
- 30- Rear Trigger



Phone-Fax: +90 332 524 69 21

Gsm: +90 543 832 40 45

Üzümlü/Beyşehir/KONYA/TURKEY

www.target-arms.com

sales@target-arms.com