



PUMP ACTION SHOTGUN INSTRUCTION MANUAL

Read the instructions and warnings in this manual carefully before using this firearms



1370 BAR
STEEL SHOT



GUN SAFETY RULES

Observe these rules of safe gun handling.

- 1.** Always keep the muzzle pointed in a safe direction. Watch the muzzle at all time, never point a gun. accidentally or intentionally, at any person or anything you do not intend to shoot. Identify the target before shooting; do not shoot at sounds.
- 2.** Always treat a gun as if it is loaded - it may be!
- 3.** Keep your finger off the trigger while operating the action and at ali other times until you are ready to shoot.
- 4.** Keep the safety "on" or in the "safe" position at ali times until you are ready to fire. Do not rely on your gun's safety, the safety on any gun is a mechanical device and is not intended as a substitute for common sense or safe gun handling.
- 5.** Learn how your gun functions and handles. If you do not thoroughly understand the proper use and care of your gun, seek the advice of someone who is knowledgeable
- 6.** Do not alter or modify any part of the firearm.
- 7.** Store guns unloaded, separate from any ammunition, and out of the reach of children.
- 8.** Be sure the barrel is clear of any obstructions before loading. Make it a habit to check the barrel every time before loading.
- 9.** Be sure you have and use the proper ammunition. 20 gauge shell will enter a 12 gauge chamber far enough so that a 12 gauge shell can be loaded behind it. Also, a 3 inch shell may fit into a 2 $\frac{3}{4}$ inch chamber, but the crimp at the mouth of the shell will unfold into the forcing cone. If either of these things occur and you fire the gun, the gun will explode, damaging the gun and possibly causing serious injury or death to you and those around you.
- 10.** Wear protective shooting glasses and adequate ear protection when shooting.

11.Never climb or jump over anything, such as a tree, fence, or ditch, with a loaded gun. Open the barrel, remove the shells and hand the gun to someone else or place it on the ground on the other side of the obstacle before Crossing it yourself. Do not lean a gun against a tree or other object; it could fail and possibly discharge.

12.Do not shoot at a hard surface or at water. Bullet and shot can ricochet or bounce off and travel in unpredictable directions with great velocity.

13.Never transport a loaded gun. DO not place a loaded gun into a vehicle. The gun should be unloaded and placed into a case when not in use.

14.Never drink alcoholic beverages before or during shooting.

INTRODUCTION TO TARGET ARMS

For many years, **TARGET ARMS** has been importing quality shotguns. Combine the old world quality with modern technology, and you have **TARGET ARMS** Shotguns.

We at **TARGET ARMS** thank you for the privilege of delivering a product to you that will provide you with years of pleasurable use. Happy shot gunning.

ABOUT YOUR PUMP SHOTGUN

Your **TARGET ARMS** is manually operated. Once a shell has been fired, the locking lug in the bolt moves down, unlocking the gun. The forearm can then be moved to the rear and forward again, ejecting and loading a new shell.

To open the bolt without firing the gun, depress the action bar lock, located just beside and forward of the trigger. This allows for opening the action without dry firing.

SAFETY SWITCH OR BUTTON

The safety is designed to stop the trigger mechanism.

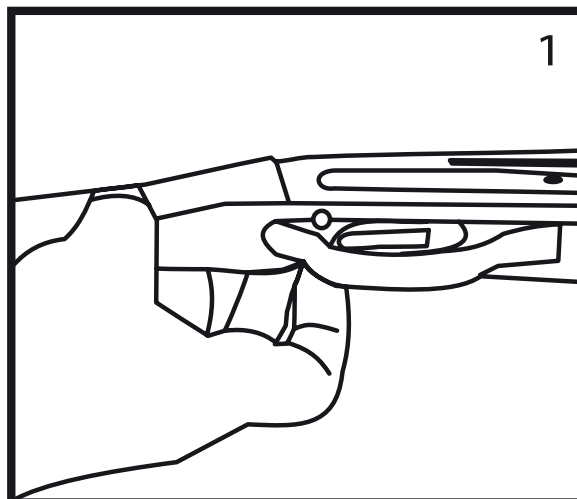
DON'T RELY ON YOUR GUN'S SAFETY, TREAT EVERY GUN AS IF IT WERE LOADED AND READY TO FIRE. The safety on any gun is a mechanical device, and it is not intended as a substitute for common sense or safe gun handling.

Always keep the muzzle pointed in a safe direction.

A. The safety is located behind the trigger, and provides protection against accidental or unintentional discharge under normal usage when properly handled.

B. To engage the safety, push the button so that it protrudes from the right side of the gun and the **RED BAND MARKING CAN NOT BE SEEN.** The safety should always be in the "on" or "safe" position until you intend to fire the gun (photo 1).

C. When you are ready to fire the gun, press the safety button to the "off" or "fire" position, so that the safety protrudes from the left side of the gun and the **RED BAND MARKING IS SHOWING.**



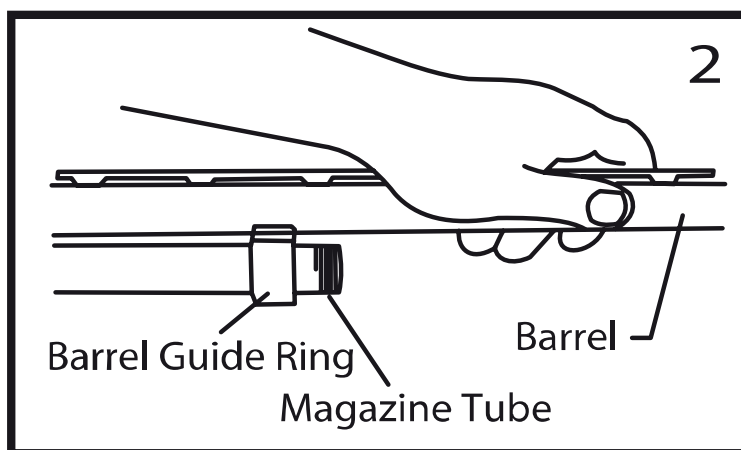
DANGER: The gun will fire when the trigger is pulled intentionally or accidentally when the **RED BAND MARKING IS SHOWING.**

ASSEMBLY

1. Remove the magazine cap.
2. Press upward on the action bar lock. Pull the forearm approximately halfway rearward.
3. Hold the barrel ahead of the barrel guide ring (See picture 2).
4. Slide the barrel guide ring over the magazine tube. Clean the barrel following the instructions on.
5. Press upward on the action bar lock.
6. Align the ejector on the inside of the barrel with the slot in the bolt.
7. Carefully set the barrel into the receiver. **DO NOT FORCE IT!**
8. Replace the magazine cap. Tighten.

DISASSEMBLY

1. Make sure the gun is unloaded!
2. Point firearm in a safe direction
3. Point firearm in a safe position.
4. Push up on the action bar lock.
5. Slide forearm forward halfway.
6. Unscrew and remove the magazine cap.
7. Pull the barrel carefully out of the receiver.
8. Push the carrier forward.
9. Depress and hold the action bar lock.
10. Slide the forearm forward and off the magazine tube.

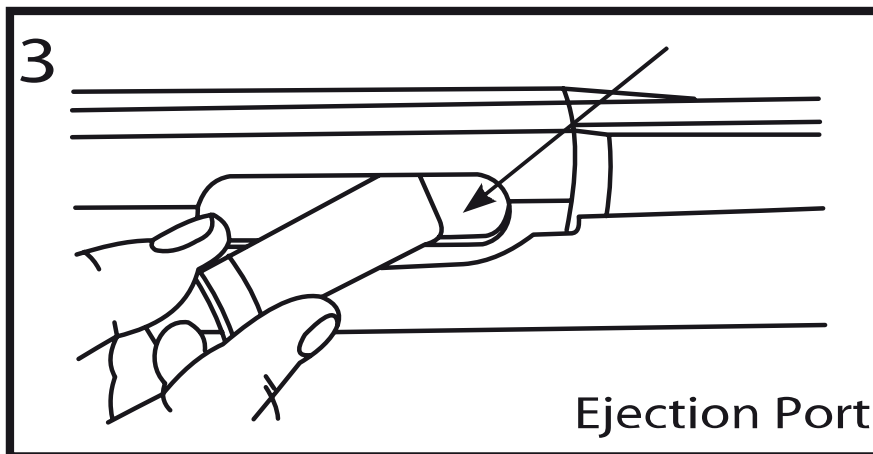


LOADING YOUR SHOTGUN ONE SHELL ONLY

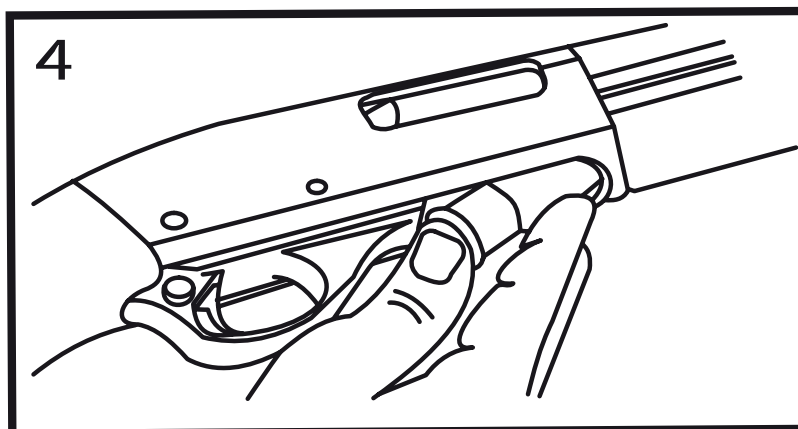
1. Put safety in the "on" position.
2. Point the gun in a safe direction.
3. Push up on the action bar lock.
4. Pull the forearm completely to the rear.
5. Put one shell through the ejection port, making sure it is the correct gauge and length. (See picture 3)
6. Push the forearm forward and close the action.

FULLY LOADING YOUR SHOTGUN

1. Put safety in the "on" position.
2. Point the gun in a safe direction.
3. Push up on the action bar lock.
4. Pull the forearm completely to the rear.
5. Put one shell through the ejection port, making sure it is the correct gauge and length. (See picture 3)



6. Push the forearm forward and close the action.
7. Push a shell upward against the bottom of the carrier.
(See picture 4)
8. Push two (2) to four (4) shell, one at a time, fully forward into the magazine tube.



INSTALLATION OF MAGAZINE PLUG

Your shotgun has comes with a magazine plug installed for this purpose.

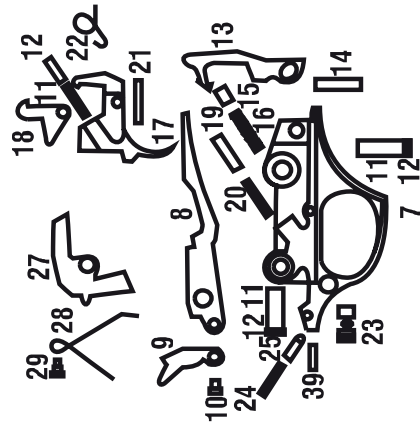
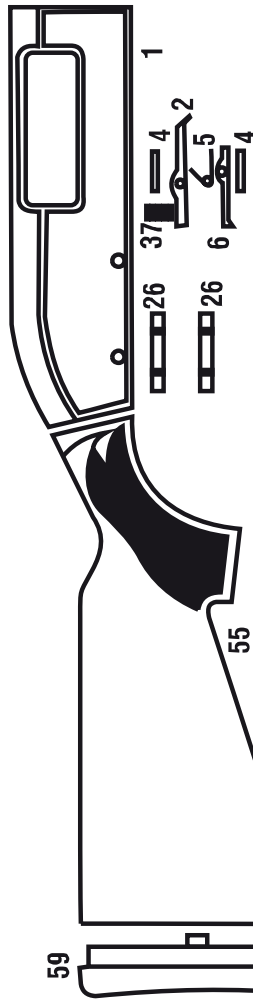
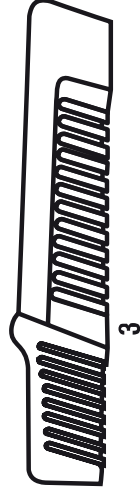
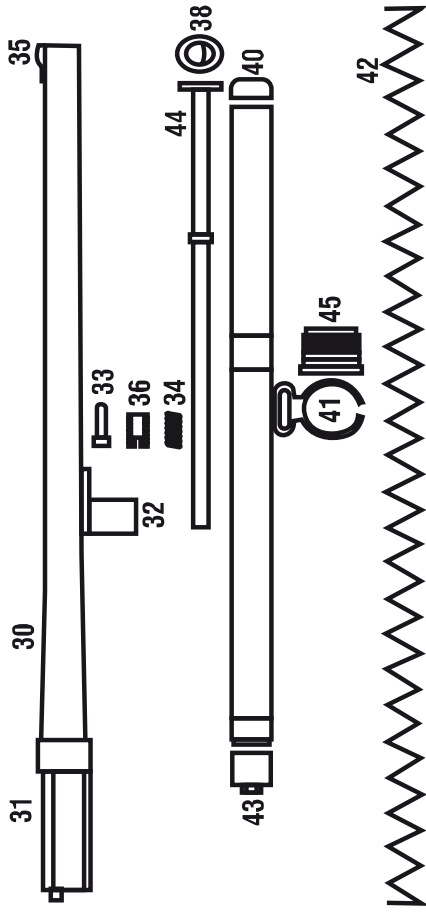
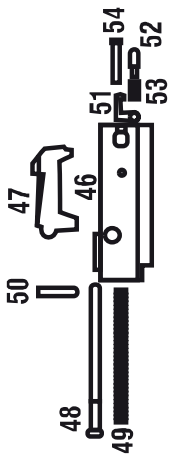
Installation:

1. Remove the forend screw cap.
2. At the threaded end of the magazine tube (where the forend screw cap fits) you will locate a black snap ring.
3. A Phillips head screw driver should be used to remove the snap ring.

CAUTION:

The snap ring will be under pressure from the magazine spring. Do not remove the snap ring in a manner where the ring could fly out and strike you or anyone else causing injury, particularly to the eye.

4. In sert plug through the middle of the magazine spring, compress plug and spring, and insert the snap ring so the snap ring end is flush with the end of the tube.
5. Screw forend cap back in place.

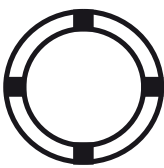
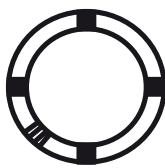
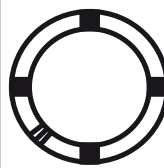
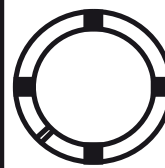
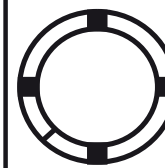
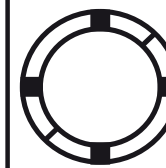


PART NO	DESCRIPTION	PART NO	DESCRIPTION
1	RECEIVER	17	TRIGGER
2	CARRIER LATCH	18	INTERNAL SAFETY
3	FORE-END	19	INTERNAL SAFETY CAPSULE
4	CARRIER LATCH PIN	20	INTERNAL SAFETY SPRING
5	CARTRIDGE HOLDER SPRING	21	TRIGGER PIN
6	CARTRIDGE HOLDER	22	TRIGGER SPRING
7	TRIGGER GROUP	23	SAFETY
8	CARTRIDGE CARRIER	24	SAFETY SPRING
9	CARTRIDGE LIFTER	25	SAFETY CAPSULE
10	CARTRIDGE LIFTER PIN	26	CAPSULE PIN
11	INTERNAL SAFETY SPRING	27	UNLOADING LATCH
12	INTERNAL SAFETY SPRING CASE	28	UNLOADING LATCH SPRING
13	HAMMER	29	UNLOADING LATCH SPRING SCREW
14	HAMMER PIN	30	BARREL
15	HAMMER PIN CAPSULE	31	BARREL LUG
16	HAMMER SPRING	32	PUMP RING

PART NO	DESCRIPTION	PART NO	DESCRIPTION
33	PUMP RING PIN	49	FIRING PIN SPRING
34	PUMP RING SPRING	50	FIRING PIN HOLDER
35	BEAD	51	EXTRACTOR
36	PUMP RING SCREW	52	EXTRACTOR PIN
37	METAL HOLDER SPRING	53	EXTRACTOR SPRING
38	PLUG CAP	54	EXTRACTOR SPRING PIN
39	SAFETY PIN	55	GRIP
40	MAGAZINE UPPER CAP	56	HEAT SHIELD
41	SLING SWIVEL	57	HEAT SHIELD SCREW
42	MAGAZINE SPRING	58	SLING SWIVEL
43	CARTRIDGE EJECTOR PLUG	59	GRIP KEY
44	PLUG	60	GRIP SCREW
45	MAGAZINE BOLT CAP	61	SLIDING BAR
46	BOLT ACTION	62	SLIDING BAR SPRING
47	LOCKING BLOCK	63	SLIDING BAR PIN
48	FIRING PIN	64	SLIDING BAR RIVETING PIN

USAGE OF CHOKE TUBES

The choke controls how open or tight the pattern of the shot will be. The chart below lists the chokes available (from open to tight), and the cores pending marks that indicate the specific choke.

	SKEET	IC	M	IM	F	XF
CHOKE TUBE						
BBLs	CL	****	***	**	*	XF

Never fire your gun or run cleaning tools through a barrel that uses a choke tube without having a choke installed. The threads of the choke tube and the internal threads of the barrel should be cleaned after each use and before installation of the tube. Your **TARGET ARMS** shotgun uses choke tubes.

To install a tube, insert the tube into the top of the barrel and tighten with your fingers. Once the tube is finger tightened, tighten the rest of the way with the appropriate choke tube wrench until the tube is snug. **DO NOT** over tighten or forcefully tighten with the wrench.

MAINTENANCE AND CLEANING

Caution : Make sure the gun is **UNLOADED**.

1. Make sure the broad, polished finely fitted mating surface of the breech block and receiver is especially clean and lightly oiled with high quality gun oil. Do not use silicone or lanolin (Do not use WD-40).

2. Run an oil patch through the bore with a cleaning rod starting from the breech end. To prevent leading, use a cleaning solvent and brass brush to clean the bore periodically. Follow this cleaning with one or two clean oil patches.

Important: If your gun is equipped with choke tubes, do not use a brass brush to clean the barrels without having a choke tube installed. Barrels that utilize choke tubes must also have the choke tubes removed to clean and oil the threads inside the barrel and the choke tubes themselves. This will protect the threads and prevent dirt build up that can cause tubes to become difficult to remove. Never fire your gun without choke tubes snugly tightened in barrels. Do not over tighten choke tubes. Wipe all exposed metal surface with an oiled cloth before storing. Do not squirt or pour oil into the inside mechanism because it may hamper proper functioning. After extended periods of heavy use, your gun should be taken to a qualified gunsmith to have the action disassembled for professional cleaning and lubrication.

3.Care for your wood stock and forearm the same way you would a piece of furniture with the same finish.

STORAGE

Clean thoroughly and oil your gun before storage. Store the gun in a case to prevent scratches and dents. Store in a dry place to prevent corrosion.

Store the gun away from children and in place where it cannot be obtained by those unauthorized to use it. Always store gun unloaded and separately from any ammunition.

SERVICE AGREEMENT AND LIMITED WARRANTY

TARGET ARMS agrees to service its products free of charge for defects in materials and workmanship in accordance with the service agreement listed below.

The obligation of **TARGET ARMS** under this agreement is limited to the repair or replacement of unserviceable parts and does not cover any incidental or consequential damages. Other than the express warranty contained herein **TARGET ARMS** makes no warranties, express or implied.

TARGET ARMS will repair or replace any unserviceable part(s) for one (1) year from date of purchase and further will supply free parts (Wood not included) for an additional one (1) year in accordance with the above warranty statement provided your firearm had not been altered, abused, willfully damaged, or damaged by overpressure ammunition. This agreement is not transferable;

its benefits apply only to the original purchaser. To obtain free service during the time this agreement is in effect, make sure your firearm is unloaded, and send it to **TARGET ARMS**

This agreement and the warranties contained herein are void if your registration card is not received with a copy of your sales slip within 30 days from date of purchase.

SHIPPING

When returning your gun for service, please take care in packing. Disassemble your gun, wrap in paper or other protective material and place gun in the original box. **(THIS BOX WILL PROTECT THE GUN BUT IS NOT DESIGNED FOR SHIPPING)**. Wrap box in a cardboard box approved for interstate shipping. **TARGET ARMS** is not responsible for damage incurred during shipping.

PURCHASER'S RECORD

PURCHASER :

Street :

City :

State :

Zip :

Phone :

Purchase Date :

PRODUCT Model :

Gauge :

Serial: :

SIGNATURE

Please sign and return
this card to validate warranty.

When shooting or hunting always acquire the permission of the landowner. Respect the land. Do not litter, use gates when possible, leave open and closed gates closed. Drive vehicles only where advance permission has been granted any always express gratitude for use of another persons land. Offer your labor or game as repayment for the privilege of use. Remember you are helping develop a reputation for all sportsmen/sportswomen.

Thank You



Phone-Fax: +90 332 524 69 21

Gsm: +90 543 832 40 45

Üzümlü/Beyşehir/KONYA/TURKEY

www.target-arms.com

sales@target-arms.com